

### FEATURES

- 1024 by 1024 Image Format
- Image Area 13.3 x 13.3 mm
- Full-Frame Operation
- 13  $\mu\text{m}$  Square Pixels
- Symmetrical Anti-static Gate Protection
- Very Low Noise Output Amplifiers
- Gated Dump Drain on Output Register
- 100% Active Area
- Advanced Inverted Mode Operation (AIMO)
- New Compact Footprint Package

### APPLICATIONS

- Spectroscopy
- Scientific Imaging
- Star Tracking
- Medical Imaging

### INTRODUCTION

This version of the CCD47 family of sensors has full-frame architecture. Extremely low noise amplifiers make this device well suited to the most demanding scientific applications. To improve the sensitivity further, the CCD is manufactured without anti-blooming structures.

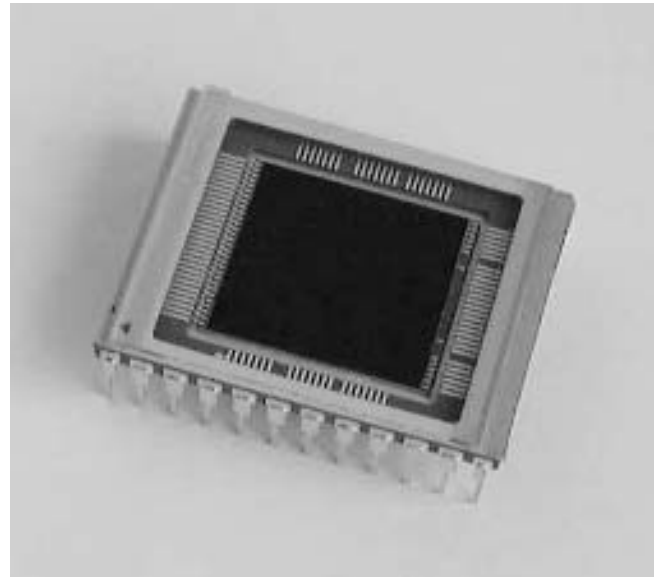
This device has a single serial output register. Separate charge detection circuits are incorporated at each end of the register, which is split so that a line of charge can be transferred to either output, or split between the two.

The register is provided with a drain and control gate along the outer edge of the channel for charge dump purposes.

The sensor is made using e2v technologies' Advanced Inverted Mode process to minimise dark current, allowing the device to be operated with extended integration periods and minimal cooling.

Other variants of the CCD47-10 available are back illuminated format and non-inverted mode. In common with all e2v technologies CCD Sensors, the CCD47-10 is also available with a fibre-optic window or taper, or with a phosphor coating.

Designers are advised to consult e2v technologies should they be considering using CCD sensors in abnormal environments or if they require customised packaging.



### TYPICAL PERFORMANCE

Maximum readout frequency	5	MHz
Output responsivity	4.5	$\mu\text{V}/\text{e}^-$
Peak signal	100	$\text{ke}^-/\text{pixel}$
Dynamic range (at 20 kHz)	$\sim 50\,000:1$	
Spectral range	400 - 1100	nm
Readout noise (at 20 kHz)	2.0	$\text{e}^- \text{ rms}$
QE at 700 nm	45	%

### GENERAL DATA

#### Format

Image area	13.3 x 13.3	mm
Active pixels (H)	1024	
(V)	1024	
Pixel size	13 x 13	$\mu\text{m}$
Additional pixels are provided in the image area for dark reference and over-scanning purposes.		
Number of output amplifiers	2	
Weight (approx, no window)	6	g

#### Package

Package size	22.6 x 29.9	mm
Number of pins	24	
Inter-pin spacing	2.54	mm
Window material	quartz or removable glass	
Type	ceramic DIL array	

## PERFORMANCE

	Min	Typical	Max	
Peak charge storage (see note 1)	60k	100k	-	e <sup>-</sup> /pixel
Peak output voltage (no binning)	-	450	-	mV
Dark signal at 293 K (see notes 2 and 3)	-	100	200	e <sup>-</sup> /pixel/s
Dynamic range (see note 4)	-	50 000	-	
Charge transfer efficiency (see note 5):				
parallel	-	99.9999	-	%
serial	-	99.9993	-	%
Output amplifier responsivity (see note 3)	3.0	4.5	6.0	μV/e <sup>-</sup>
Readout noise at 253 K (see notes 3 and 6)	-	2.0	4.0	rms e <sup>-</sup> /pixel
Maximum readout frequency (see note 7)	-	5.0	-	MHz
Dark signal non-uniformity at 293 K (std. deviation) (see notes 3 and 8)	-	40	80	e <sup>-</sup> /pixel/s
Response non-uniformity (std. deviation)	-	1	3	% of mean

## ELECTRICAL INTERFACE CHARACTERISTICS

### Electrode capacitances (measured at mid-clock level)

	Min	Typical	Max	
I <sub>Ø</sub> /I <sub>Ø</sub> interphase	-	3.5	-	nF
I <sub>Ø</sub> /SS	-	4.5	-	nF
R <sub>Ø</sub> /R <sub>Ø</sub> interphase	-	40	-	pF
R <sub>Ø</sub> /(SS + DG + OD)	-	60	-	pF
ØR/SS	-	10	-	pF
Output impedance (at typ. operating condition)	-	300	-	Ω

## NOTES

- Signal level at which resolution begins to degrade.
- Measured between 253 and 293 K and V<sub>SS</sub> + 9.5 V. Dark signal at any temperature T (kelvin) may be estimated from:  

$$Q_d/Q_{d0} = 1.14 \times 10^6 T^3 e^{-9080/T}$$
 where Q<sub>d0</sub> is the dark signal at T = 293 K (20 °C).
- Test carried out at e2v technologies on all sensors.
- Dynamic range is the ratio of full-well capacity to readout noise measured at 253 K and 20 kHz readout speed.
- CCD characterisation measurements made using charge generated by X-ray photons of known energy.
- Measured using a dual-slope integrator technique (i.e. correlated double sampling) with a 20 μs integration period.
- Readout at speeds in excess of 5 MHz into a 15 pF load can be achieved but performance to the parameters given cannot be guaranteed.
- Measured between 253 and 293 K, excluding white defects.

## BLEMISH SPECIFICATION

**Traps** Pixels where charge is temporarily held. Traps are counted if they have a capacity greater than 200 e<sup>-</sup> at 253 K.

**Slipped columns** Are counted if they have an amplitude greater than 200 e<sup>-</sup>.

**Black spots** Are counted when they have a signal level of less than 90% of the local mean at a signal level of approximately half full-well.

**White spots** Are counted when they have a generation rate 125 times the specified maximum dark signal generation rate (measured between 253 and 293 K). The typical temperature dependence of white spot defects is different from that of the average dark signal and is given by:

$$Q_d/Q_{d0} = 122T^3e^{-6400/T}$$

**White column** A column which contains at least 21 white defects.

**Black column** A column which contains at least 21 black defects.

GRADE	0	1	2
Column defects: black or slipped	0	1	4
white	0	0	0
Black spots	15	25	100
Traps > 200 e <sup>-</sup>	1	2	5
White spots	15	20	40

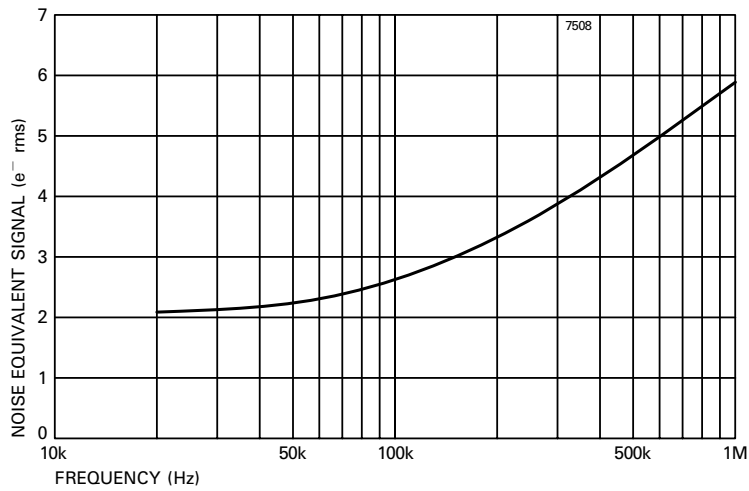
**Grade 5** Devices which are fully functioning, with image quality below that of grade 2, and which may not meet all other performance parameters.

Minimum separation between adjacent black columns . . . . . 50 pixels

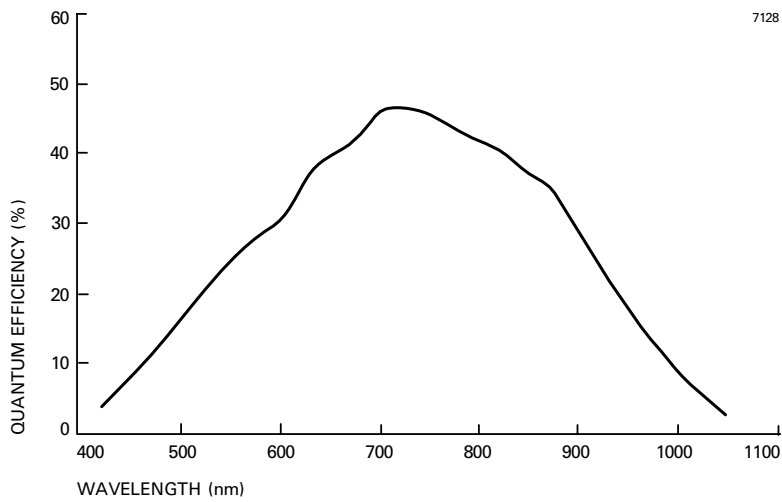
**Note** The effect of temperature on defects is that traps will be observed less at higher temperatures but more may appear below 253 K. The amplitude of white spots and columns will decrease rapidly with temperature.

## TYPICAL OUTPUT CIRCUIT NOISE (Measured using clamp and sample)

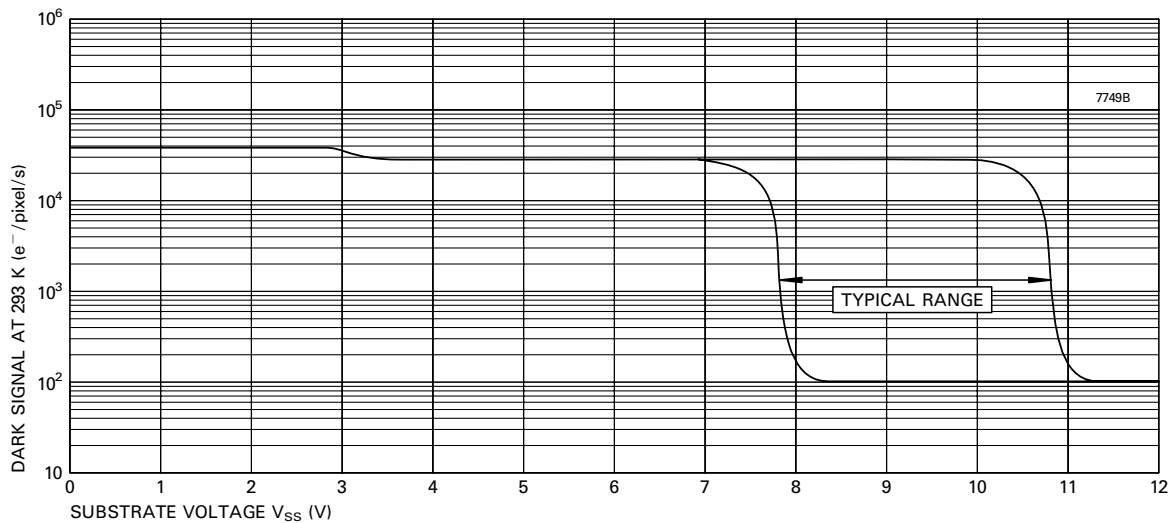
$V_{SS} = 9.5\text{ V}$   $V_{RD} = 17\text{ V}$   $V_{OD} = 29\text{ V}$



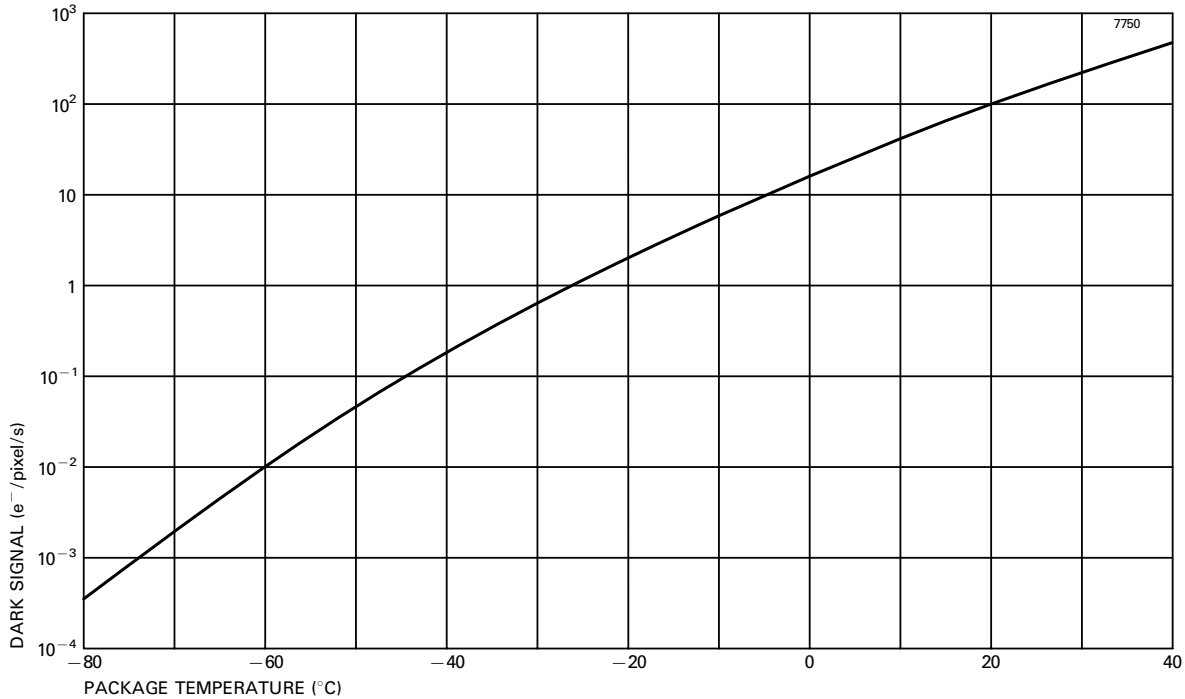
## TYPICAL SPECTRAL RESPONSE (At -20 °C, no window)



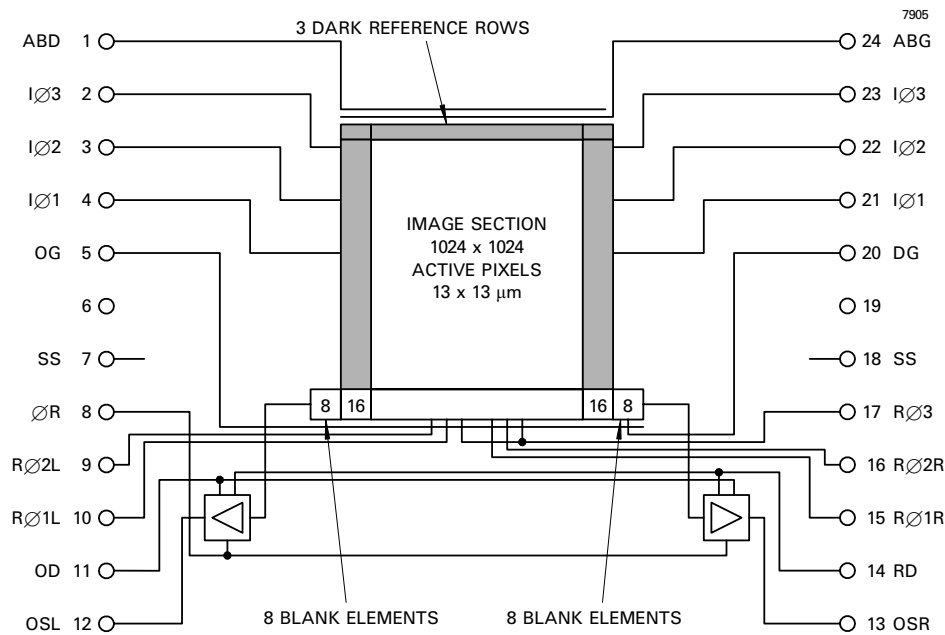
## TYPICAL VARIATION OF DARK SIGNAL WITH SUBSTRATE VOLTAGE



## TYPICAL VARIATION OF DARK SIGNAL WITH TEMPERATURE ( $V_{SS} = +9.5\text{ V}$ )



## DEVICE SCHEMATIC



**Note** Pins 6 and 19 are not connected. For convenience, the CCD47-10 Compact Pack is pin compatible with the e2v technologies CCD57 sensors in the compact pack, except that OSL = pin 6, OSR = pin 19 and pins 12 and 13 are not connected in the CCD57.

## CONNECTIONS, TYPICAL VOLTAGES AND ABSOLUTE MAXIMUM RATINGS

PIN	REF	DESCRIPTION	PULSE AMPLITUDE OR DC LEVEL (V) (See note 9)			MAXIMUM RATINGS with respect to V <sub>SS</sub>
			Min	Typical	Max	
1	ABD	Anti-blooming drain (see note 10)	V <sub>OD</sub>			-0.3 to +25 V
2	IØ3	Image area clock	10	12	15	±20 V
3	IØ2	Image area clock	10	12	15	±20 V
4	IØ1	Image area clock	10	12	15	±20 V
5	OG	Output gate	1	3	5	±20 V
6	-	No connection	-			-
7	SS	Substrate	8	9.5	11	-
8	ØR	Output reset pulse (left and right amplifiers)	8	12	15	±20 V
9	RØ2L	Output register clock (left section)	8	10	15	±20 V
10	RØ1L	Output register clock (left section)	8	10	15	±20 V
11	OD	Output transistor drain (left and right amplifiers)	27	29	32	-0.3 to +35 V
12	OSL	Output transistor source (left amplifier)	see note 11			-0.3 to +25 V
13	OSR	Output transistor source (right amplifier)	see note 11			-0.3 to +25 V
14	RD	Reset transistor drain (left and right amplifiers)	15	17	19	-0.3 to +25 V
15	RØ1R	Output register clock (right section)	8	10	15	±20 V
16	RØ2R	Output register clock (right section)	8	10	15	±20 V
17	RØ3	Output register clock (left and right sections)	8	10	15	±20 V
18	SS	Substrate	8	9.5	11	-
19	-	No connection	-			-
20	DG	Dump gate (see note 12)	-	0	-	±20 V
21	IØ1	Image area clock	10	12	15	±20 V
22	IØ2	Image area clock	10	12	15	±20 V
23	IØ3	Image area clock	10	12	15	±20 V
24	ABG	Anti-blooming gate	0	0	5	±20 V

Maximum voltages between pairs of pins:

pin 12 (OSL) to pin 11 (OD) . . . . . ±15 V

pin 13 (OSR) to pin 11 (OD) . . . . . ±15 V

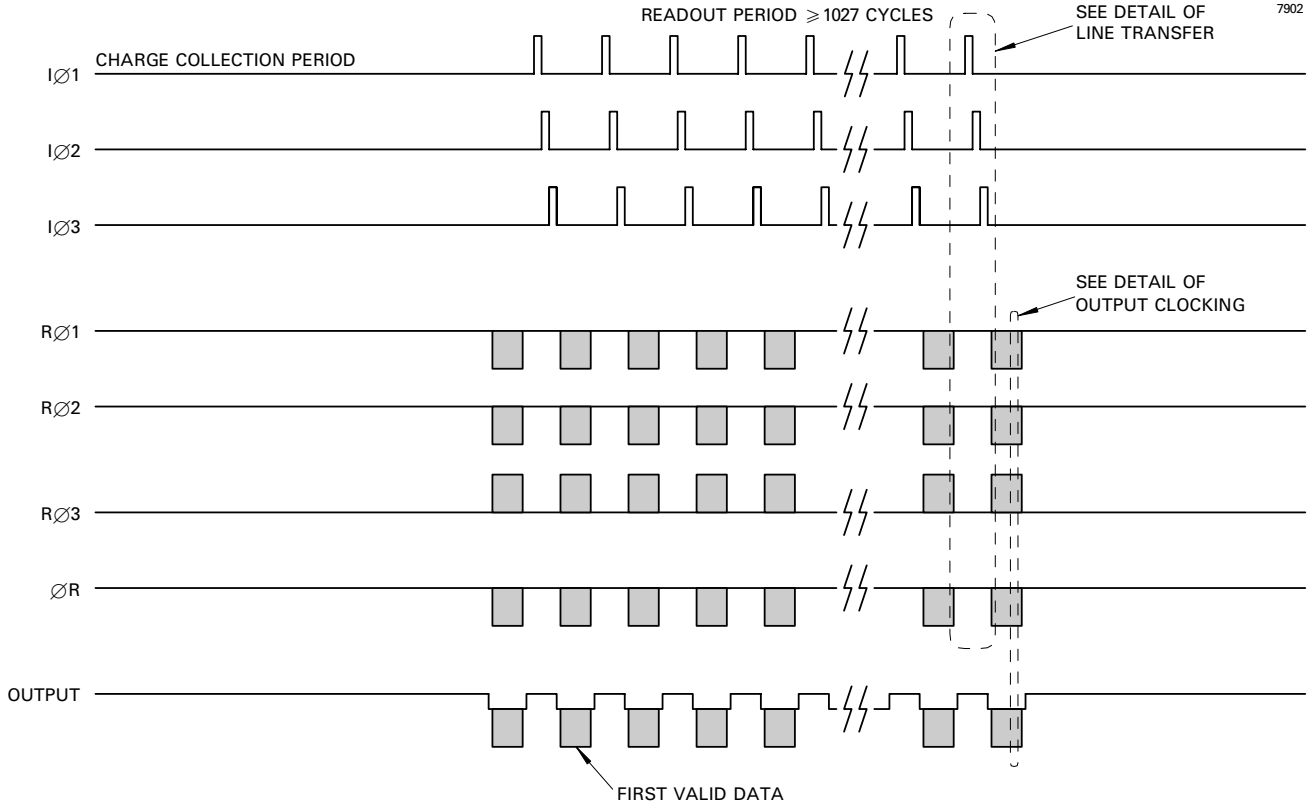
Maximum output transistor current . . . . . 10 mA

### NOTES

9. Readout register clock pulse low levels +1 V; other clock low levels 0 ± 0.5 V.
10. Drain not incorporated, but bias is still necessary.
11. 3 to 5 V below OD. Connect to ground using a 3 to 5 mA current source or appropriate load resistor (typically 5 to 10 kΩ).
12. Non-charge dumping level shown. For operation in charge dumping mode, DG should be pulsed to 12 ± 2 V.
13. All devices will operate at the typical values given. However, some adjustment within the minimum to maximum range may be required to optimise performance for critical applications. It should be noted that conditions for optimum performance may differ from device to device.
14. With the RØ connections shown, the device will operate through the left-hand output only. In order to operate from both outputs RØ1(R) and RØ2(R) should be reversed.

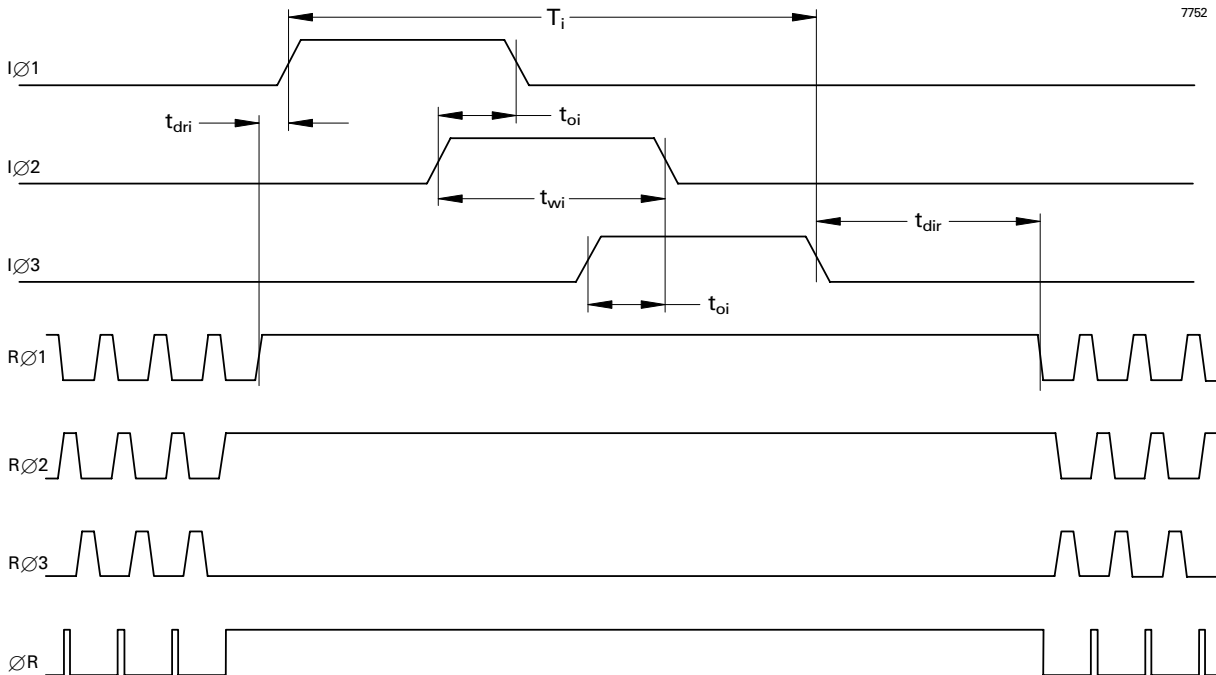
# FRAME READOUT TIMING DIAGRAM

7902

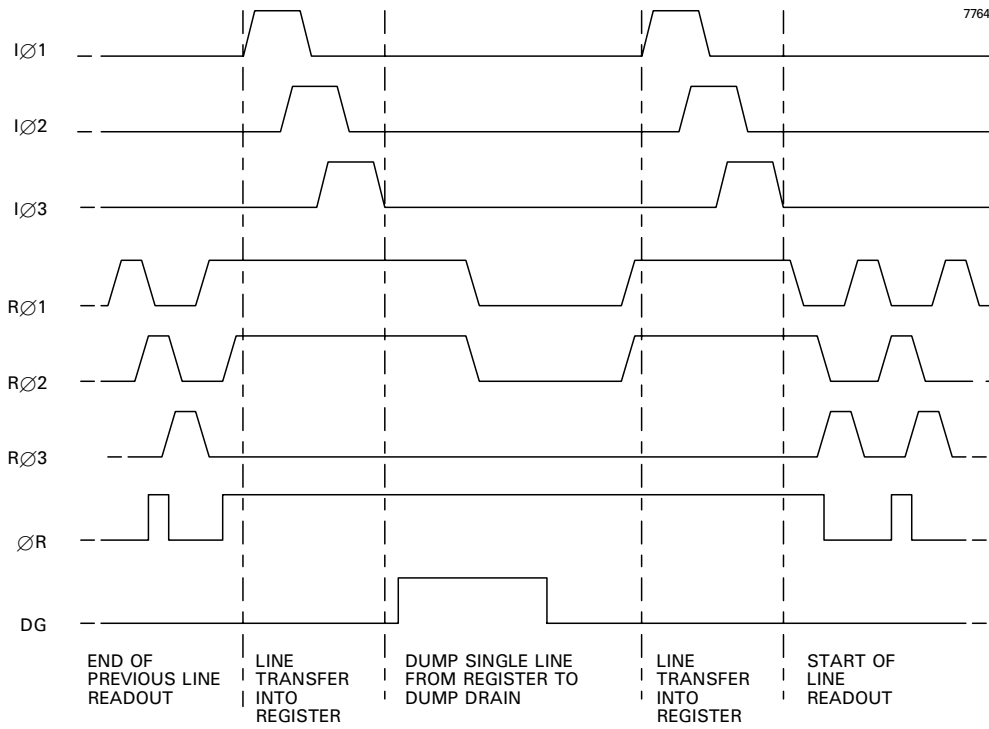


## DETAIL OF LINE TRANSFER (For output from a single amplifier)

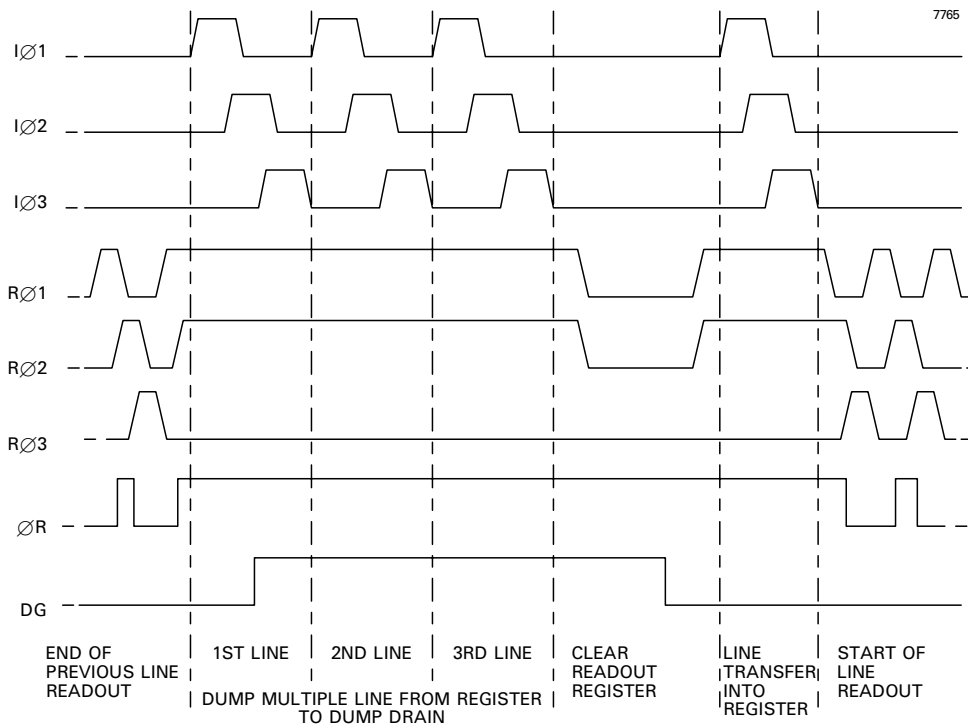
7752



## DETAIL OF VERTICAL LINE TRANSFER (Single line dump)

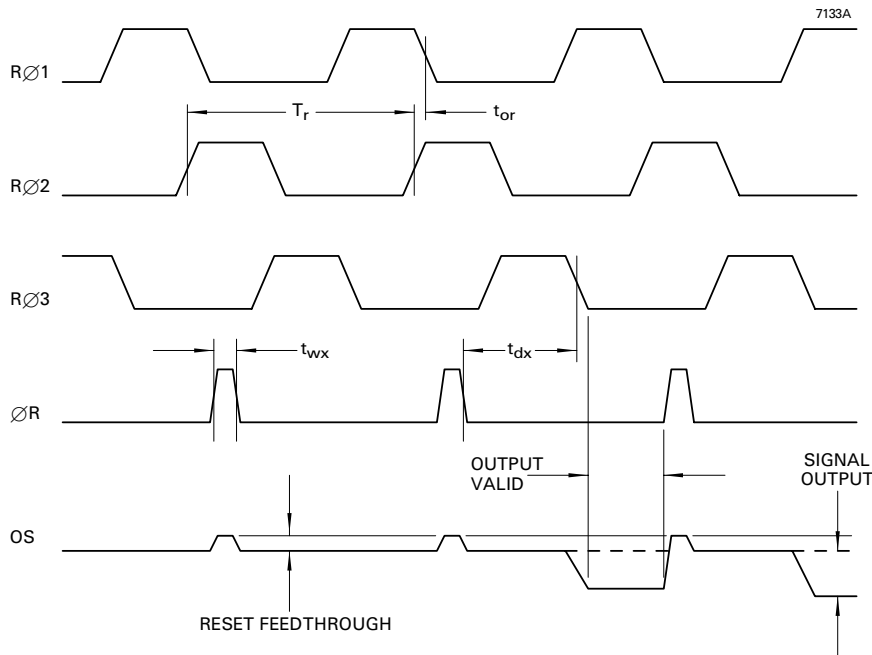


## DETAIL OF VERTICAL LINE TRANSFER (Multiple line dump)

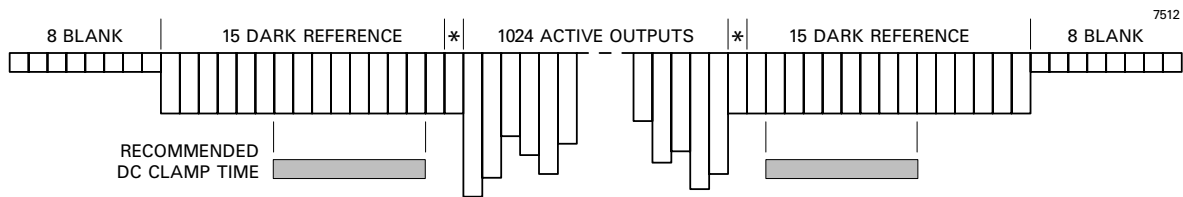




## DETAIL OF OUTPUT CLOCKING



## LINE OUTPUT FORMAT



\* = Partially shielded transition elements

## CLOCK TIMING REQUIREMENTS

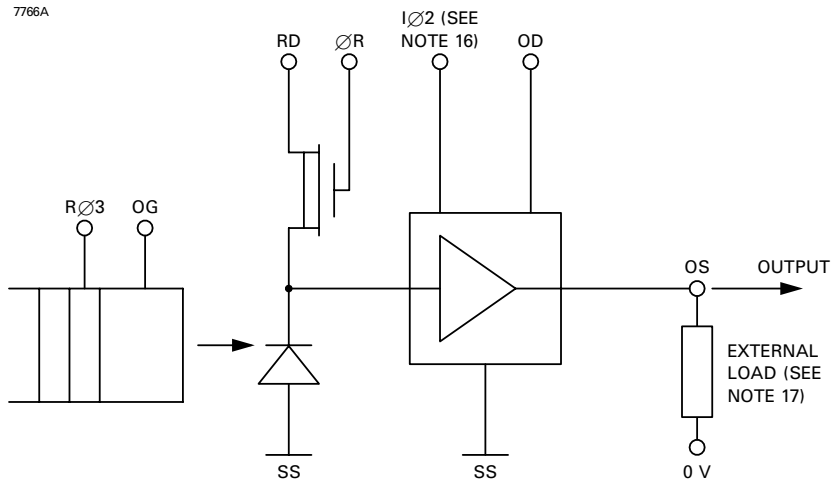
Symbol	Description	Min	Typical	Max	
$T_i$	Image clock period	4	14	see note 15	$\mu\text{s}$
$t_{wi}$	Image clock pulse width	2	5	see note 15	$\mu\text{s}$
$t_{ri}$	Image clock pulse rise time (10 to 90%)	0.1	5	$T_i - 2t_{wi}$	$\mu\text{s}$
$t_{fi}$	Image clock pulse fall time (10 to 90%)	$t_{ri}$	$t_{ri}$	$T_i - 2t_{wi}$	$\mu\text{s}$
$t_{oi}$	Image clock pulse overlap	$(t_{ri} + t_{fi})/2$	0.6	$(3t_{wi} - T_i)/2$	$\mu\text{s}$
$t_{dir}$	Delay time, IØ stop to RØ start	1	2	see note 15	$\mu\text{s}$
$t_{dri}$	Delay time, RØ stop to IØ start	1	1	see note 15	$\mu\text{s}$
$T_r$	Output register clock cycle period	200	1000	see note 15	ns
$t_{rr}$	Clock pulse rise time (10 to 90%)	50	$0.1T_r$	$0.3T_r$	ns
$t_{fr}$	Clock pulse fall time (10 to 90%)	$t_{rr}$	$0.1T_r$	$0.3T_r$	ns
$t_{or}$	Clock pulse overlap	20	$0.5t_{rr}$	$0.1T_r$	ns
$t_{wx}$	Reset pulse width	30	$0.1T_r$	$0.3T_r$	ns
$t_{rx}, t_{fx}$	Reset pulse rise and fall times	$0.2t_{wx}$	$0.5t_{rr}$	$0.1T_r$	ns
$t_{dx}$	Delay time, ØR low to RØ3 low	30	$0.5T_r$	$0.8T_r$	ns

## NOTES

15. No maximum other than that necessary to achieve an acceptable dark signal at the longer readout times.

## OUTPUT CIRCUIT

7766A

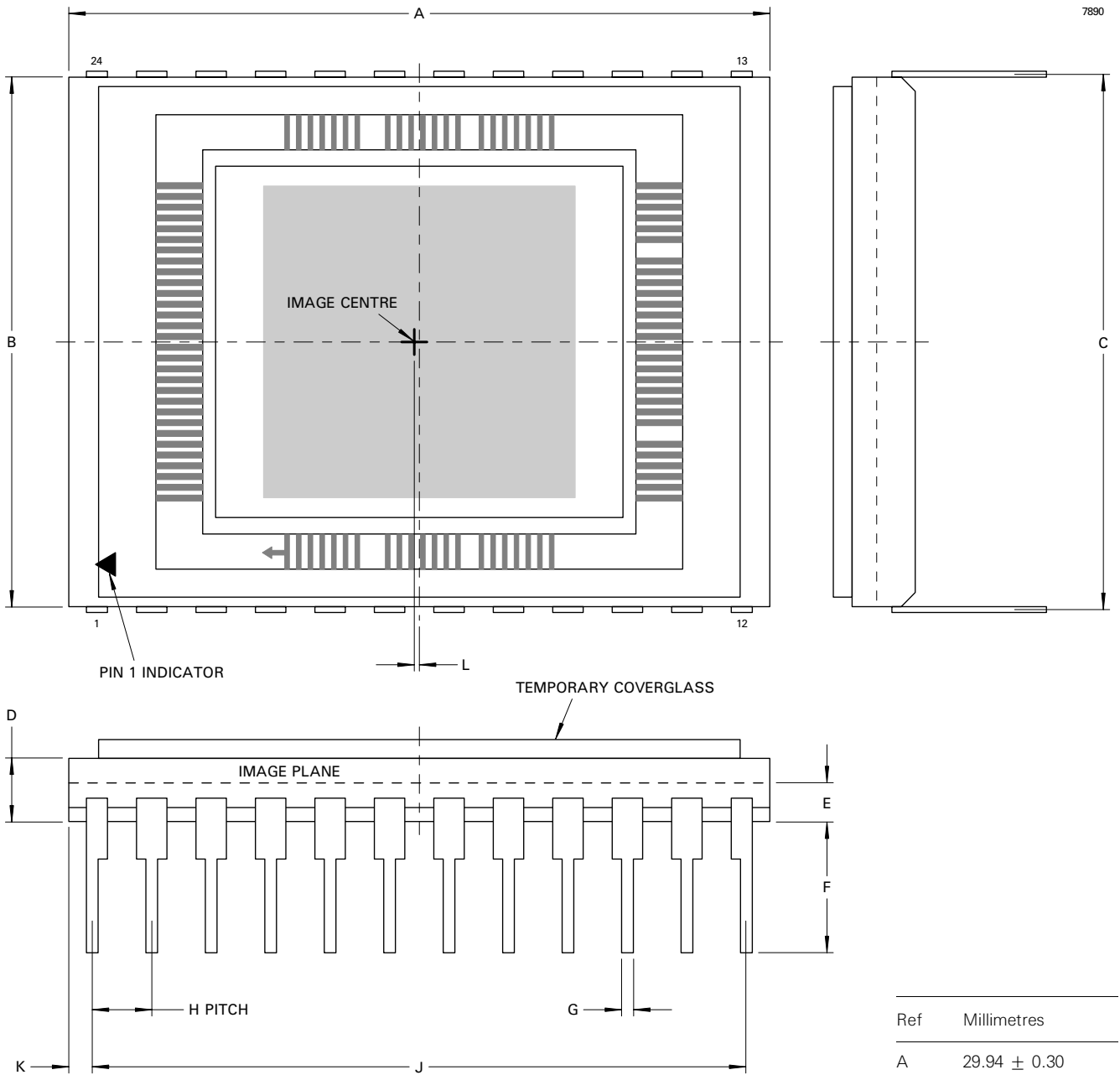


### NOTES

16. The amplifier has a DC restoration circuit which is internally activated whenever IØ2 is high.
17. Not critical; can be a 3 to 5 mA constant current supply or an appropriate load resistor.

# OUTLINE

(All dimensions without limits are nominal)



Ref	Millimetres
A	29.94 ± 0.30
B	22.61 ± 0.25
C	22.86 ± 0.25
D	2.70 ± 0.27
E	1.65 ± 0.25
F	5.6 ± 0.5
G	0.46 ± 0.05
H	2.54 ± 0.13
J	27.94 ± 0.13
K	1.0 ± 0.3
L	0.2

## ORDERING INFORMATION

Options include:

- Temporary Quartz Window
- Permanent Quartz Window
- Temporary Glass Window
- Permanent Glass Window
- Fibre-optic Coupling
- UV Coating
- X-ray Phosphor Coating

For further information on the performance of these and other options, please contact e2v technologies.

## HANDLING CCD SENSORS

CCD sensors, in common with most high performance MOS IC devices, are static sensitive. In certain cases a discharge of static electricity may destroy or irreversibly degrade the device. Accordingly, full antistatic handling precautions should be taken whenever using a CCD sensor or module. These include:

- Working at a fully grounded workbench
- Operator wearing a grounded wrist strap
- All receiving socket pins to be positively grounded
- Unattended CCDs should not be left out of their conducting foam or socket.

Evidence of incorrect handling will invalidate the warranty. All devices are provided with internal protection circuits to the gate electrodes (pins 2, 3, 4, 5, 8, 9, 10, 15, 16, 17, 20, 21, 22, 23, 24) but not to the other pins.

## HIGH ENERGY RADIATION

Device characteristics will change when subject to ionising radiation.

Users planning to operate CCDs in high radiation environments are advised to contact e2v technologies.

## TEMPERATURE LIMITS

	Min	Typical	Max	
Storage . . . . .	73	-	373	K
Operating . . . . .	73	273	323	K

Operation or storage in humid conditions may give rise to ice on the sensor surface on cooling, causing irreversible damage.

**Maximum device heating/cooling . . . . . 5 K/min**

Whilst e2v technologies has taken care to ensure the accuracy of the information contained herein it accepts no responsibility for the consequences of any use thereof and also reserves the right to change the specification of goods without notice. e2v technologies accepts no liability beyond that set out in its standard conditions of sale in respect of infringement of third party patents arising from the use of tubes or other devices in accordance with information contained herein.